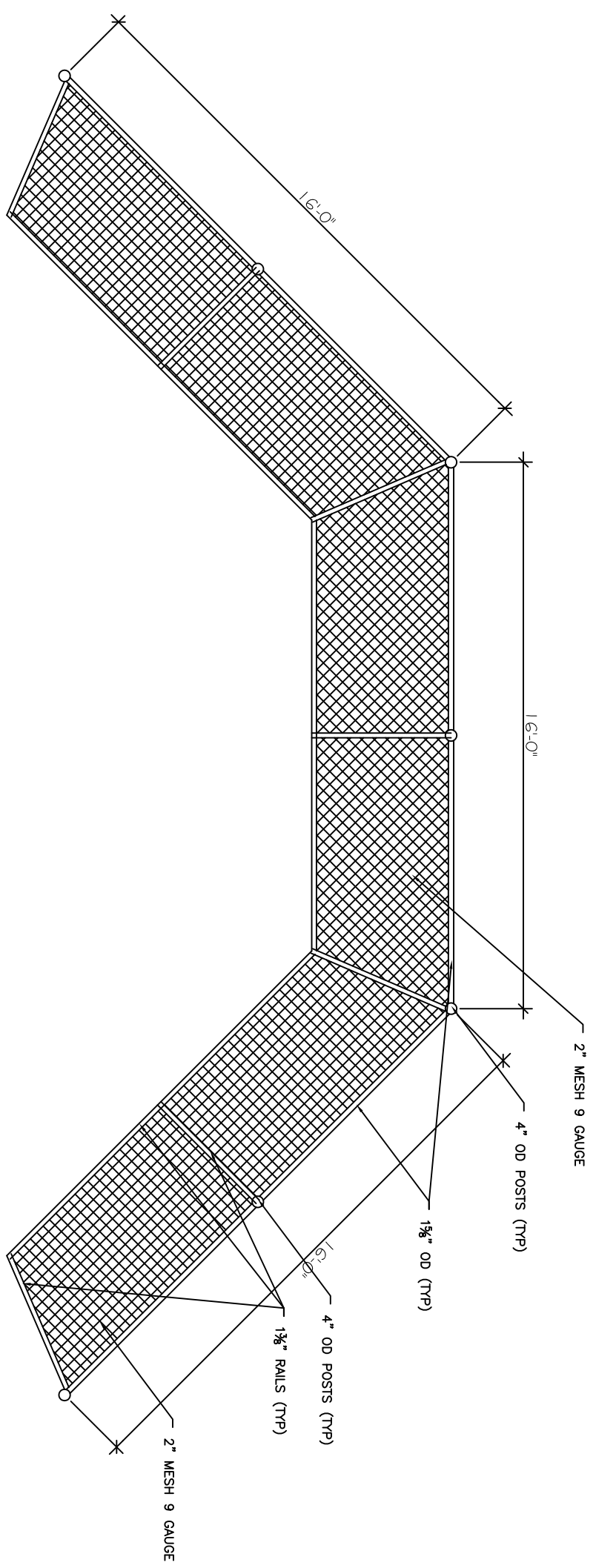
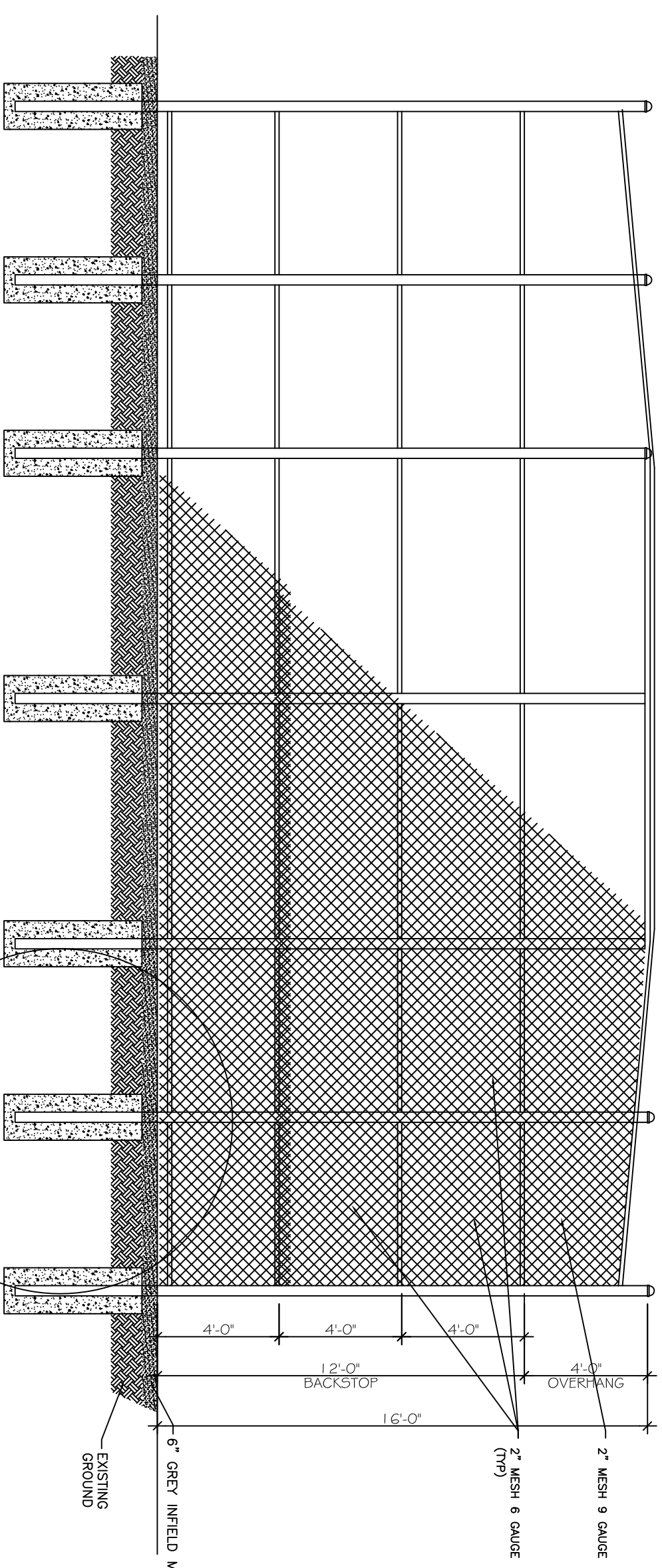


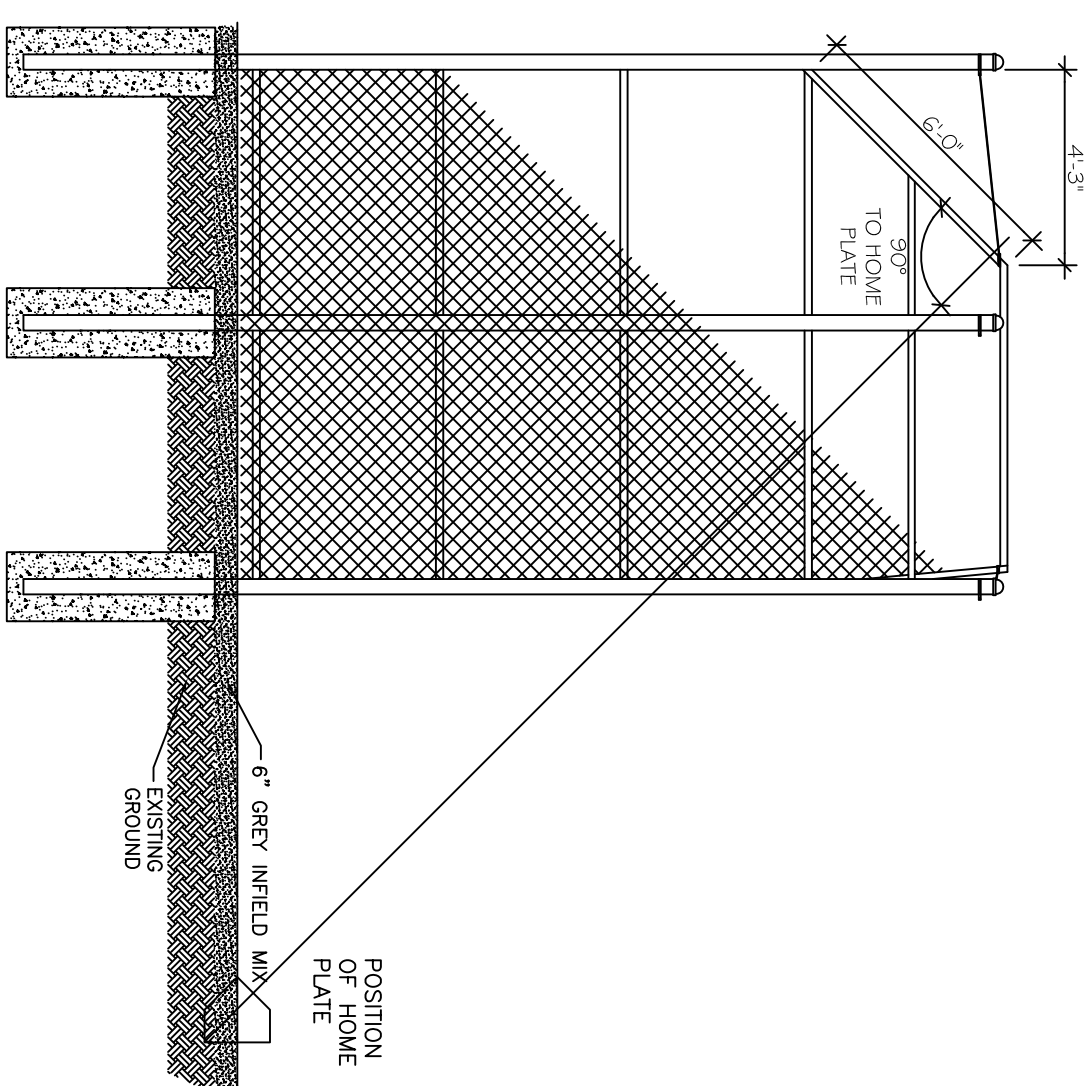
1 BACKSTOP AND FOUL SIDE STRETCHED ELEVATION
A02 1/8"=1'-0"



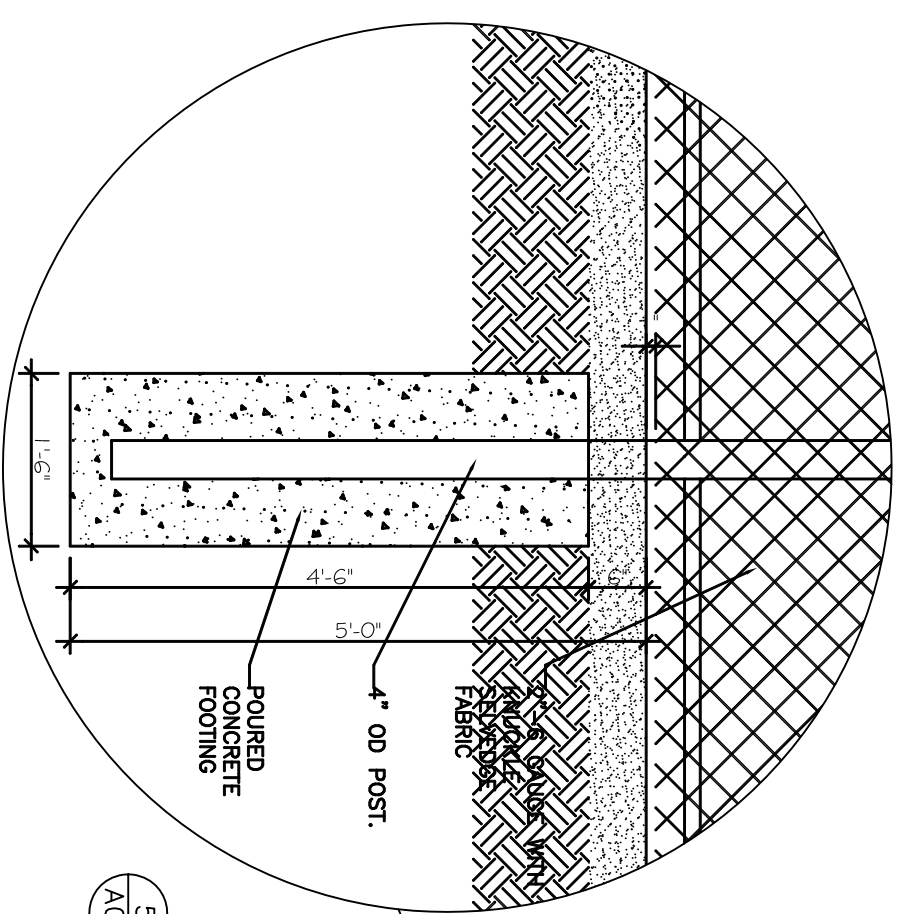
2 BACKSTOP PLAN
A02 1/4"=1'-0"



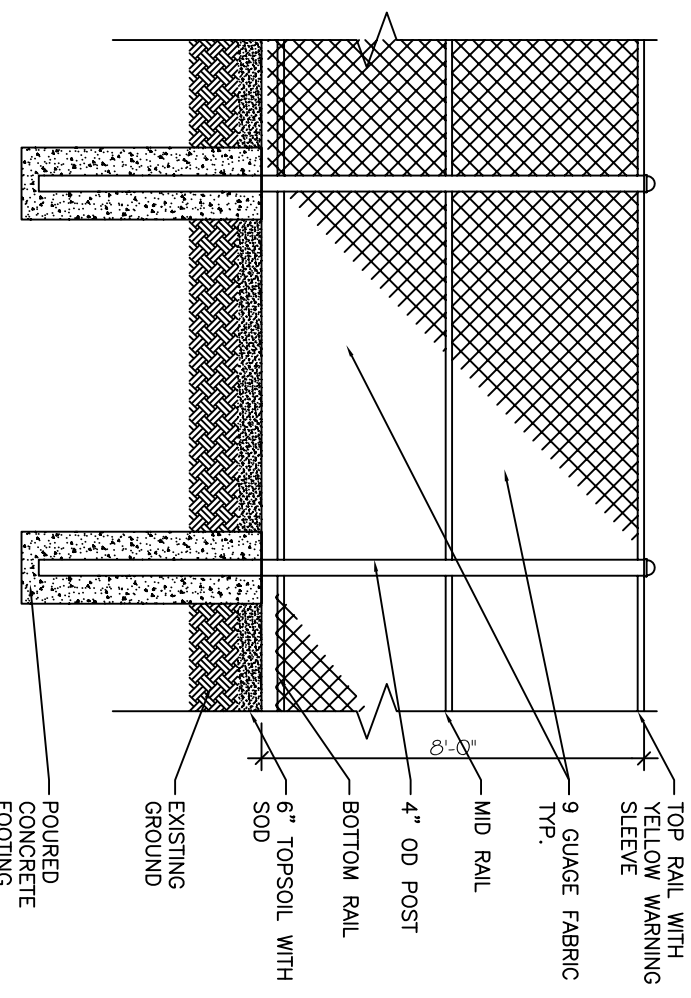
3 BACKSTOP ELEVATION
A02 1/4"=1'-0"



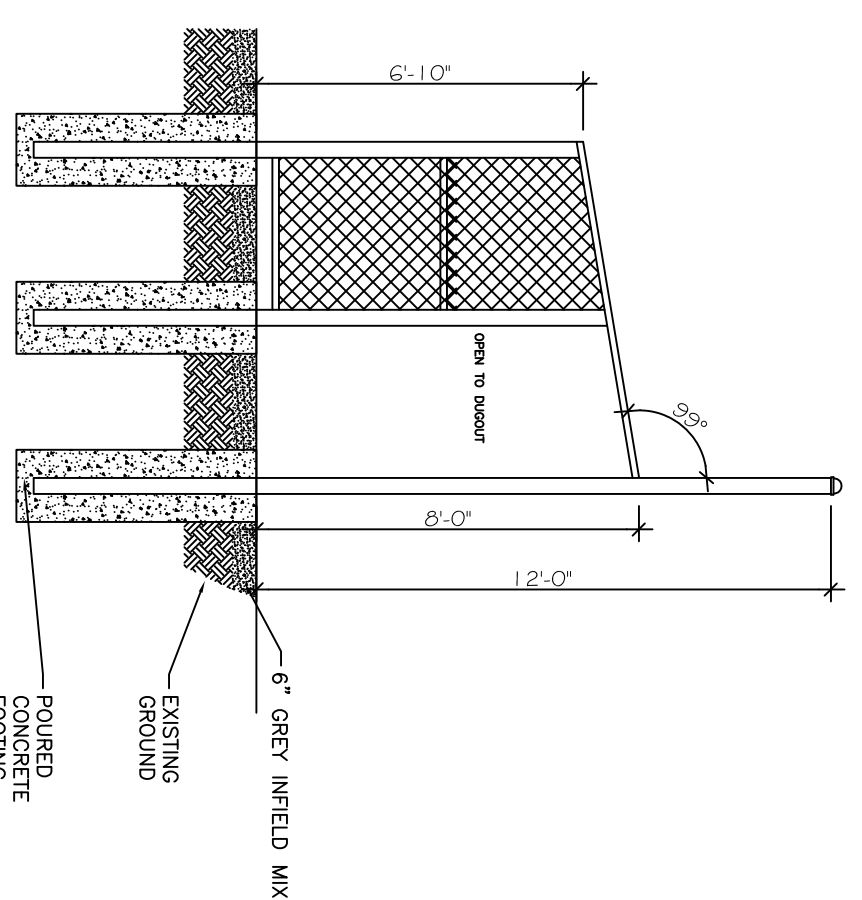
4 BACKSTOP ELEVATION
A02 1/4"=1'-0"



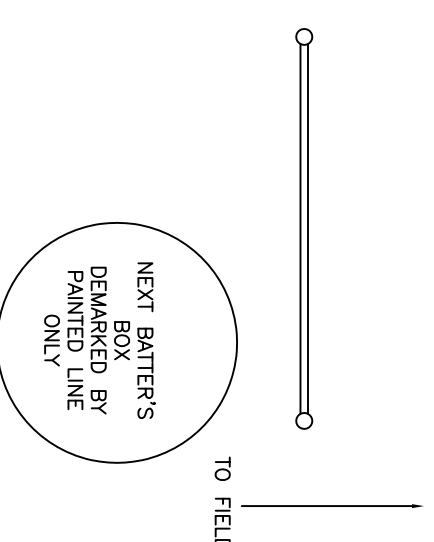
5 FOUNDATION AND FABRIC DETAIL
A02 1/4"=1'-0"



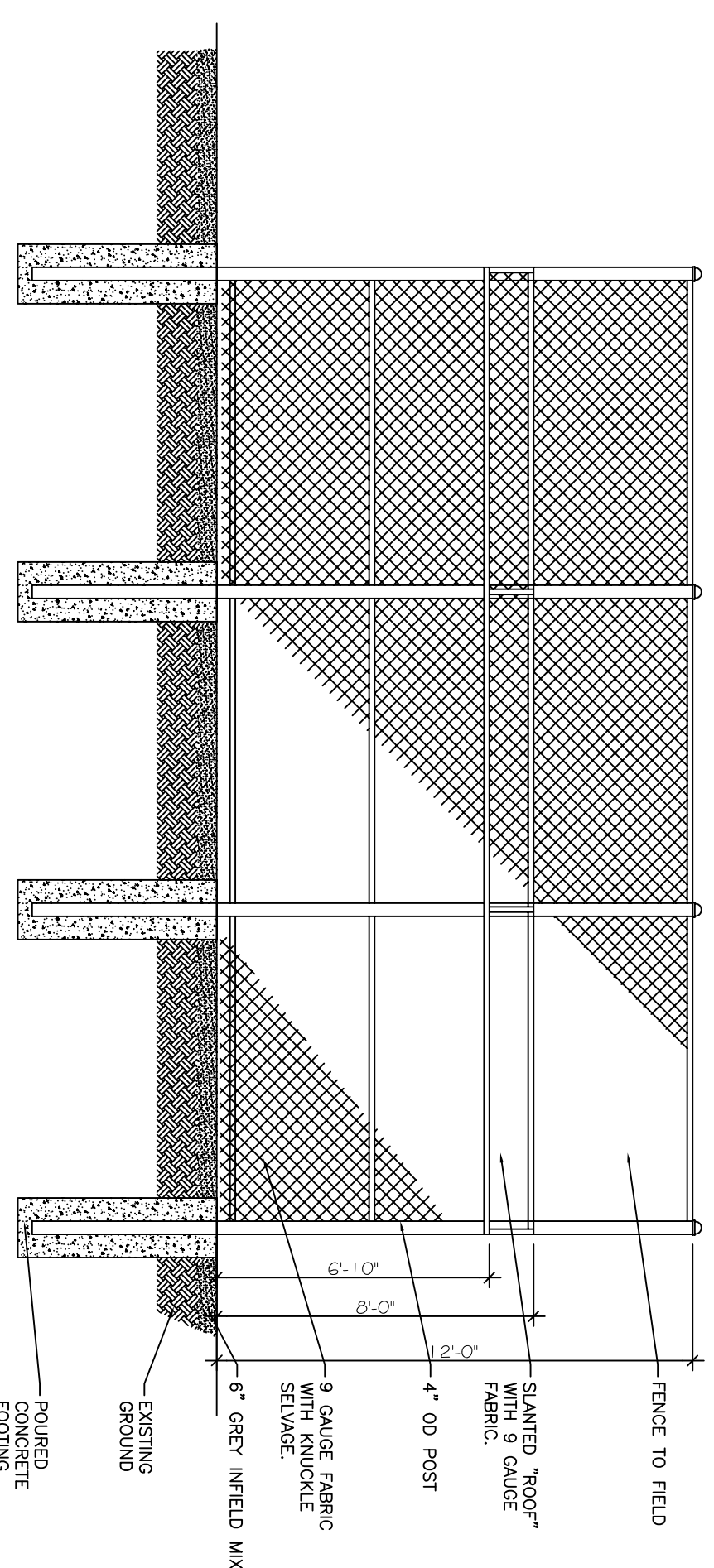
6 TYPICAL 8'-0" OUTFIELD FENCE SECTION
A02 1/2"=1'-0"



8 BACKSTOP PLAN
A02 1/2"=1'-0"



7 DUGOUT PLAN
A02 1/2"=1'-0"



9 DUGOUT REAR ELEVATION
A02 1/2"=1'-0"

- FABRIC: 2" PVC COATED CHAIN LINK FABRIC
- FRAMEWORK: GALVANIZED
- BACKSTOP: 2" BLACK PVC COATED CHAIN LINK FABRIC
- FABRIC: 6 GAUGE KNUCKLE SALVAGE
- POSTS: 4" OD GROUP 1A (ASTM F1443) SCHEDULE 40 STEEL PIPE (50,000 PSI YIELD STRENGTH)
- TOP RAIL: 1 1/2" OD GROUP 1A (ASTM F1443) SCHEDULE 40 STEEL PIPE (50,000 PSI YIELD STRENGTH)
- BOTTOM AND MID RAIL: 1 1/2" OD GROUP 1A (ASTM F1443) SCHEDULE 40 STEEL PIPE (50,000 PSI YIELD STRENGTH)
- BACKSTOP OVERLAP: 2" BLACK PVC COATED CHAIN LINK FABRIC
- FABRIC: 9 GAUGE KNUCKLE SALVAGE
- RAILS: 1 1/2" OD GROUP 1A (ASTM F1443) SCHEDULE 40 STEEL PIPE (50,000 PSI YIELD STRENGTH)
- E-CR AND 12'-0" FINISH: 2" BLACK PVC COATED CHAIN LINK FABRIC
- FABRIC: 9 GAUGE KNUCKLE SALVAGE
- POSTS: 4" OD GROUP 1A (ASTM F1443) SCHEDULE 40 STEEL PIPE (50,000 PSI YIELD STRENGTH)
- TOP RAIL: 1 1/2" OD GROUP 1A (ASTM F1443) SCHEDULE 40 STEEL PIPE (50,000 PSI YIELD STRENGTH)
- BOTTOM AND MID RAIL: 1 1/2" OD GROUP 1A (ASTM F1443) SCHEDULE 40 STEEL PIPE (50,000 PSI YIELD STRENGTH)
- 8'-0" FENCE TO HAVE YELLOW SAFETY TOP AND 12'-0" FOUL POLES AT THE END OF EACH FOUL LINE
- E-CR FINISHES: 2" BLACK PVC COATED CHAIN LINK FABRIC
- FABRIC: 9 GAUGE KNUCKLE SALVAGE
- POSTS: 3/4" OD GROUP 1A (ASTM F1443) SCHEDULE 40 STEEL PIPE (50,000 PSI YIELD STRENGTH)
- TOP RAIL: 1 1/2" OD GROUP 1A (ASTM F1443) SCHEDULE 40 STEEL PIPE (50,000 PSI YIELD STRENGTH)
- BOTTOM AND MID RAIL: 1 1/2" OD GROUP 1A (ASTM F1443) SCHEDULE 40 STEEL PIPE (50,000 PSI YIELD STRENGTH)
- BRACE AND TENSION BARS: 2" OD GROUP 1A (ASTM F1443) SCHEDULE 40 STEEL PIPE (50,000 PSI YIELD STRENGTH)
- CONCRETE FOR POST FOUNDINGS: SHALL HAVE A 28-DAY COMPRESSIVE STRENGTH OF 2,500 PSI (20 MPa).
- TOPSOIL: LOAM SOIL
- 500 OR HYPPOSED MIX: 50% KENTUCKY BLUEGRASS AND 50% PERENNIAL PEGPSS
- INFIELD MIX: GUELLET'S GREY INFIELD MIX OR EQUIVALENT

DIMENSIONS ON DRAWING ARE FOR ESTIMATING PURPOSE ONLY. IT IS THE RESPONSIBILITY OF EACH CONTRACTOR AND SUBCONTRACTOR TO CHECK AND VERIFY ALL DIMENSIONS AND CONDITIONS ON SITE.

ALL CONTRACTORS MUST COMPLY WITH ALL APPLICABLE CODES AND BYLAWS.

CONSTRUCTION DOCUMENTS INCLUDING PLANS AND SPECIFICATIONS SHALL BE READ IN WHOLE NOT IN PART. IT IS THE RESPONSIBILITY OF THE CONTRACTOR AND SUBCONTRACTOR TO READ ALL CONSTRUCTION DOCUMENTS. PERFORMANCE AND COMPLETION OF ALL WORK SHALL INCLUDE SERVICES, MATERIALS, PRODUCTS EQUIPMENT NECESSARY FOR THE WORK IN ACCORDANCE WITH ALL CONSTRUCTION DOCUMENTS. CITY OF CLARENCE-ROCKLAND SHALL BE RESPONSIBLE FOR EMPLOYERS OR SUBCONTRACTORS FAILURE TO READ ALL CONSTRUCTION DOCUMENTATION.



PROJECT:
418 LEMAY ST.
CLARENCE CREEK,
ONTARIO

Issue no: _____
 issued for Client approval 1
 issued for permit and tender 2
 3
 4
 5
 6

drawn by: _____
 project no: _____
 SOTFBALL
 FIELD

scale: _____
 NTS
 date: 13/03/19

drawing name: _____
 FENCE PLANS AND
 ELEVATIONS